

WARRANTY

All fiber optic transmission systems, products and accessories manufactured by Liteway, Inc. and its subsidiaries are fully tested prior to shipment and are warranted against defective materials and workmanship for a period of five full years from the date of the original shipment. Should a problem occur, a Return Material Authorization Number (RMA) must be obtained from Liteway Inc. at (516) 931-2800 and the item returned to Liteway, Inc. 166 Haverford Road, Hicksville, NY 11801, USA, prepaid. Liteway Inc. will then, at its option repair or replace the defective item.

Liteway, Inc. maximum liability under this warranty is limited to the cost of the defective item only. No contingent liabilities of any kind are either assumed or implied.

Any items returned to Liteway, Inc. that have been misused, abused, damaged, modified, connected or adjusted in any way contrary to the instructions furnished by Liteway, Inc. or repaired by unauthorized personnel will not be covered by this warranty. Any non-warranty repairs required will be quoted at the current rate for such services.



Important Notices



CAUTION ! AVOID DIRECT EXPOSURE TO BEAM.

All -7,-8, and -9 Models use laser diodes. These solid-state laser diodes are located in the optical ports of these units. Laser diodes produce invisible radiation that may be harmful to human eyes. Never look directly into the optical port of any fiber optic unit designed to operate with single-mode optical fiber.

NOT FOR LIFE SUPPORT SYSTEMS

Liteway, Inc. does not authorize or warrant any of its products or accessories for use in critical life support systems or applications of any kind.

OPERATING INSTRUCTIONS

LuxLink® Alarm Sensing Module

Model ALM-1000



The ALM-1000 consists of a small module designed to provide a visual and audible indication of an alarm condition that may occur with any of our fiber optic transmission system.

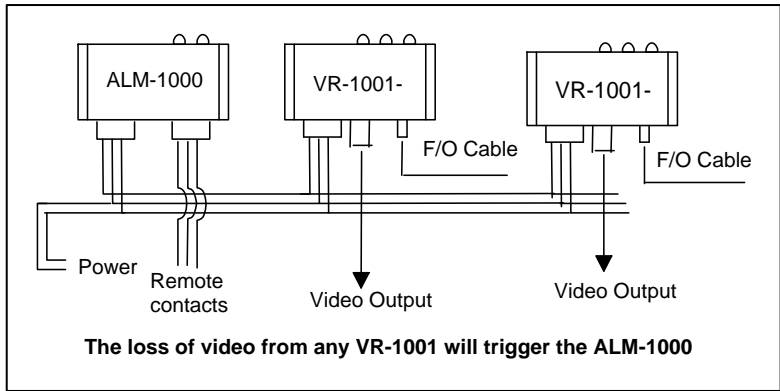
Technical Specifications

Alarm Activation:	Control Bus Input
Visual Indicator	Blinking Red LED
Audible Indicator:	Beeping Internal Piezo Sounder
Control	Sounder On/Off
Remote Alarm Contacts	Separate N/O and N/C
Output Contact Ratings	0.5 A @ 125 VAC (62.5VA) 1.0 A @ 24 VDC
Contact Ratings	115 VAC/DC 2 Amperes
Signal Connectors	Removable terminal block
Power Requirements	11-24 VAC/DC @ 100 mA
Temperature Range	-35° to +75°C
Physical Size (mm)	5.0" (127) x 3.0" (76) x 1.0" (25.4)

All specifications are subject to change without prior notice.

Installation Instructions

The diagram below shows a typical installation of the ALM-1000 Alarm Sensing Module. Activation is accomplished via connections through the input power connector and all equipment to be monitored must be inter-connected as shown for proper operation. In this example, the loss of video from any VR-1001 will cause the ALM-1000 to be activated.



Indicator Lights

Indicator	Lights when
Pwr	Proper power is present.
Alrm	Blinks when an alarm condition exists.

Power Terminal Block Connections

Pin	Function
1	Alarm control bus signal
2	+11 to 24 DC or AC Input
3	AC or DC return (Common to Housing)

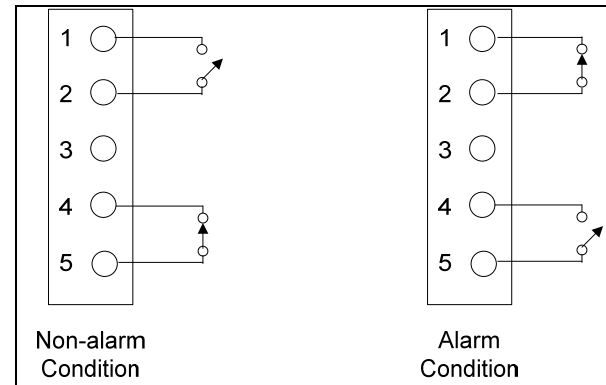
When an alarm condition exists on the alarm bus;
 The external Contacts switch when an alarm condition exists.
 The internal sounder beeps when an alarm condition exists. The sounder switch is used to turn the beeper on and off. This will not effect the Alarm light or the contact closures.

External Contact Connections

Pin	Function	Description
1	NC	Connected to Pos 2 during alarm condition
2	NC	Connected to Pos 1 during alarm condition
3	GND	Common to Housing
4	NO	Connected to Pos 5 during non-alarm condition
5	NO	Connected to Pos 4 during non-alarm condition

NC = Normally Closed

NO = Normally Open



Schematic of contact closures for alarm and non-alarm modes

Note: Be certain to check all connections and voltages before applying power.

These units may be used stand-alone or in an RMP-series rack mounting plate.